

The Air Shadow™

FP815FS – Fabric Shade



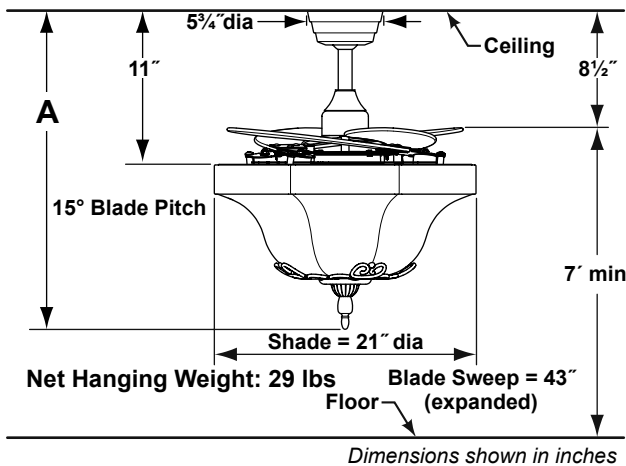
SPECIFICATION SHEET



Product Specifications subject to change

The Air Shadow™ Fan Ass'y – FP815FS

Fabric Shade Retractable Ceiling Fan



Available Finish	
FS	Fabric Shade with Oil-Rubbed Bronze Fan Components and Cherry Wood Blades

Fan Assembly	A
Fan w/6" downrod	24 1/4"
Fan w/12" downrod	30 1/4"
Fan w/18" downrod	36 1/4"
Fan w/24" downrod	42 1/4"
Fan w/36" downrod	54 1/4"
Fan w/48" downrod	66 1/4"
Fan w/60" downrod	78 1/4"
Fan w/72" downrod	90 1/4"

INSTALLATION REQUIREMENTS:

Ceiling fan must be attached to electrical junction box securely anchored and capable of withstanding a load of at least 50 lbs.

ELECTRICAL REQUIREMENTS:

Ceiling fan requires a grounded electrical supply line of 120 volts AC, 60 Hz, 15 amp circuit.

FAN SPEEDS:

Low – 135 rpm; Med – 190 rpm; High – 240 rpm

CONTROL OPTIONS:

Fan is shipped with a reversible remote control (C28) and canopy-style receiver unit (RECCAN57DEMO) is included. Features include: 3 reversible fan speeds, infinite light level dimming and a demo mode. Demo mode is initiated by pressing the Demo button on the remote, lights will flash 3 times. Fan runs for 2 1/2 minutes then shuts off for 1/2 minute. The 2 1/2/1/2 minute run cycles continue until any other button is pressed on the remote control.

LIGHTING OPTIONS:

Includes LK815OB fabric shade light kit, uses five 60-watt candelabra bulbs (not included).

DOWN ROD OPTIONS:

The Air Shadow™ fan comes with a 1" Dia. x 6" (DR1-6) down rod. Optional down rods are available in 12", 18", 24", 36", 48", 60", and 72". The Air Shadow™ fan can be mounted on a sloped ceiling up to 30°. Most sloped ceiling installations require a down rod longer than the standard 6" down rod. Optional sloped ceiling ball kits (SCB1-52) are available for up to 52°. Call tech support for more information.

BLADE SET:

Set of 4 wood blades are included with this fan. Not recommended for Damp Location.

DAMP LOCATION:

Fan not rated for Damp Location usage.



10983 Bennett Parkway
Zionsville, IN 46077
(888) 567-2055
FAX (866) 482-5215

Outside U.S. call (317) 733-4113

Visit Our Website www.fanimation.com

