

The Air ShadowTM

FP820CH – Mechanical

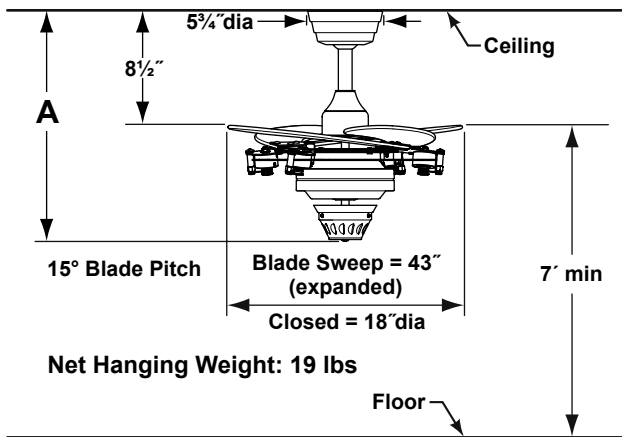


SPECIFICATION SHEET



Product Specifications subject to change

The Air Shadow™ Fan Ass'y – FP820CH Mechanical Retractable Ceiling Fan



Dimensions shown in inches

Available Finish	
CH	Chrome with Maple Wood Blades

Fan Assembly	A
Fan w/6" downrod	17 1/2"
Fan w/12" downrod	23 1/2"
Fan w/18" downrod	29 1/2"
Fan w/24" downrod	35 1/2"
Fan w/36" downrod	47 1/2"
Fan w/48" downrod	59 1/2"
Fan w/60" downrod	71 1/2"
Fan w/72" downrod	83 1/2"

INSTALLATION REQUIREMENTS:

Ceiling fan must be attached to electrical junction box securely anchored and capable of withstanding a load of at least 50 lbs.

ELECTRICAL REQUIREMENTS:

Ceiling fan requires a grounded electrical supply line of 120 volts AC, 60 Hz, 15 amp circuit.

FAN SPEEDS:

Low – 135 rpm; Med – 190 rpm; High – 240 rpm

CONTROL OPTIONS:

Fan is shipped with a reversible remote control (C28) and canopy-style receiver unit (RECCAN57DEMO) is included. Features include: 3 reversible fan speeds, infinite light level dimming and a demo mode. Demo mode is initiated by pressing the Demo button on the remote, lights will flash 3 times. Fan runs for 2 1/2 minutes then shuts off for 1/2 minute. The 2 1/2 / 1/2 minute run cycles continue until any other button is pressed on the remote control.

LIGHTING OPTIONS:

Fan is down light adaptable. Optional lighting fitters and light kits are available. See Catalog or visit our website, www.fanimation.com for more lighting options.

DOWN ROD OPTIONS:

The Air Shadow™ fan comes with a 1" Dia. x 6" (DR1-6) down rod. Optional down rods are available in 12", 18", 24", 36", 48", 60", and 72". The Air Shadow™ fan can be mounted on a sloped ceiling up to 30°. Most sloped ceiling installations require a down rod longer than the standard 6" down rod. Optional sloped ceiling ball kits (SCB1-52) are available for up to 52°. Call tech support for more information.

BLADE SET:

Set of 4 wood blades are included with this fan. Not recommended for Damp Location.

DAMP LOCATION:

Fan not rated for Damp Location usage.



10983 Bennett Parkway
Zionsville, IN 46077
(888) 567-2055
FAX (866) 482-5215

Outside U.S. call (317) 733-4113

Visit Our Website www.fanimation.com

